



SPECIFICATION

BX-Z01

Version: V1.0 Date: 2022.7.2

Catalog

Instruction	3
About software	3
Features	3
Operation	4
Safety instructions	4
Function	5
Description	5
Easy installation	5
Support APP	5
High quality pictures	5
Ultra-thin module design	5
Technical parameters	6
Interface define	7
Size	7

Instruction

Thank you for purchasing our LED control card. We hope you will enjoy experiencing the superior performance of this product. This LED control card is designed to meet international, industry standards, but may still cause personal injury and property damage if not operated properly. In order to avoid possible dangers from the equipment and to benefit from your equipment as much as possible, please follow the relevant instructions in this manual when installing and operating the product.

About software

The software installed on this product shall not be changed, decompiled, disassembled, decrypted or reverse engineered, all of the above acts are illegal.

Features

- ◆ One screen, one card, small and ultra-thin modular design, ultra-high integration;
- ◆ Uses stamp holes to mount on the back of the display module, applicable to the process requirements of ultra-thin displays;
- ◆ Total pixels \leq 16K dots: 128*128, width \leq 256, support 4 groups of RGB data signals, storage capacity 128MByte;
- ◆ Coated UV tri-proof adhesive, national standard double 85 protection grade, dustproof, moisture-proof, anti-static and salt spray-proof;
- ◆ -40°C ~ 80°C ambient temperature, 3.5V-5.5V wide voltage, 7*24 hours non-stop power supply, \leq 0.3% failure rate.

Operation

Safety instructions

- ◆ The rated working voltage of this product is 5V and the voltage range is 3.5V~5.5V, please make sure the power quality of BX-Z1 series strictly.
- ◆ When you want to connect or remove any signal or control cables, please make sure all power cables have been disconnected beforehand.
- ◆ When you want to add hardware devices to this product or remove hardware devices from this product, please make sure all signal and power cables are unplugged beforehand.
- ◆ Make sure that all signal and power cables are unplugged beforehand.
- ◆ Before performing any hardware operations, please power off the LED control card and discharge any static electricity on your body by touching a grounded surface.
- ◆ Discharge any static electricity from your body by touching a grounded surface.
- ◆ Please use in a clean, dry and ventilated environment, do not put this product into a high temperature, humid environment, etc.
- ◆ This product is an electronic product, please keep it away from fire, water source and flammable and explosive hazardous materials.
- ◆ This product has high voltage parts inside, please do not open the case or repair this equipment by yourself.
- ◆ If you find any smoke, odor or other abnormal conditions, please turn off the power switch immediately and contact your dealer.

Function

Description

Professional supporting wireless 4G communication intelligent cloud LED backpack screen with integrated 4G and GPS module. All backpack screens are connected with iLEDCloud / iLEDSys cloud platform and use mobile APP (iLEDPad) to send display information conveniently.

LED intelligent cloud backpack screen is suitable for large enterprises or Internet platforms, which can meet the business promotion and brand promotion of enterprises, as well as the supervision and management of service personnel location and backpack screen working status. At the same time, it can well meet the equipment operation and maintenance, information release and information security of LED intelligent cloud backpack screen. With strong hardware configuration and performance, 65536 level grayscale, support picture and gif animation, good picture quality performance.

Easy installation

Adopt the industry's unified interface standard, unified installation hole specifications, one screen, one card, small ultra-thin modular design, ultra-high integration; using stamp holes affixed to the back of the display module, suitable for ultra-thin display process requirements; support external operation indicator and test button wiring; support film screen, glass screen and other LED displays, use less space, simpler installation.

Support APP

The product can be controlled and managed by iLedpad App, the APP software is simple to operate and easy to learn and understand. Users can work wirelessly through cell phones, tablets, easily edit programs and send data anywhere, anytime. app supports support text, dazzling text, pictures, GIF motion pictures, DIY doodles, dazzling template area. Support for power on, power off, brightness adjustment, firmware upgrade, and reset tasks.

High quality pictures

Adopt new high brush technology, support high refresh high grayscale display effect, leading outdoor display effect, the overall technology is in the industry advanced level. Can support 256, 512, 1024, 2048, 4096, 8192, 16384, 32768, 65536 level grayscale display.

Ultra-thin module design

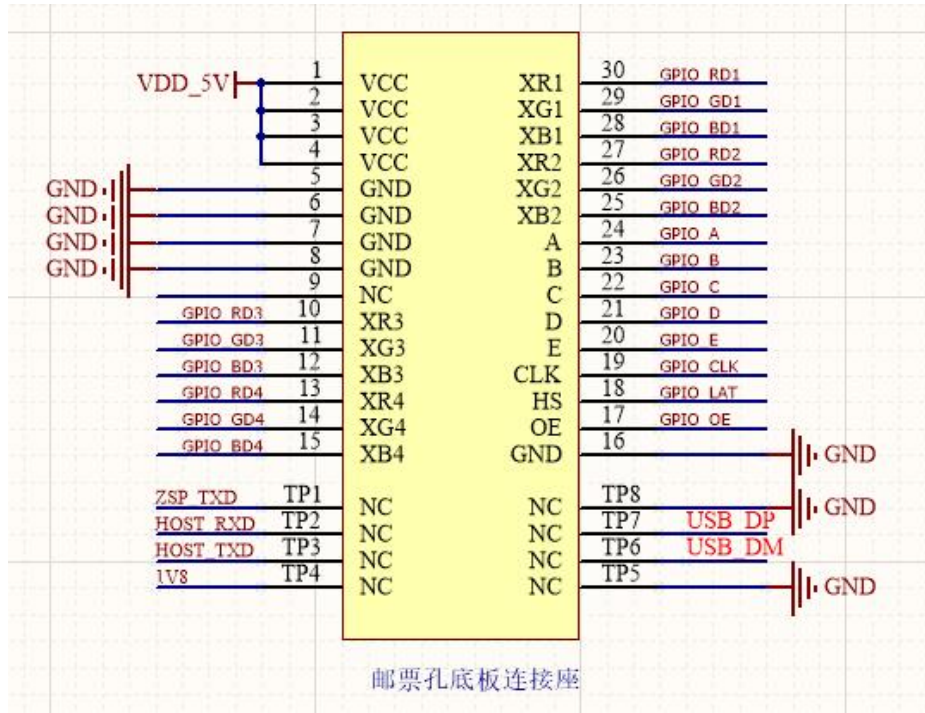
One screen, one card, small and ultra-thin module design, ultra-high integration. Use with LED smart backpack screen.

Technical parameters

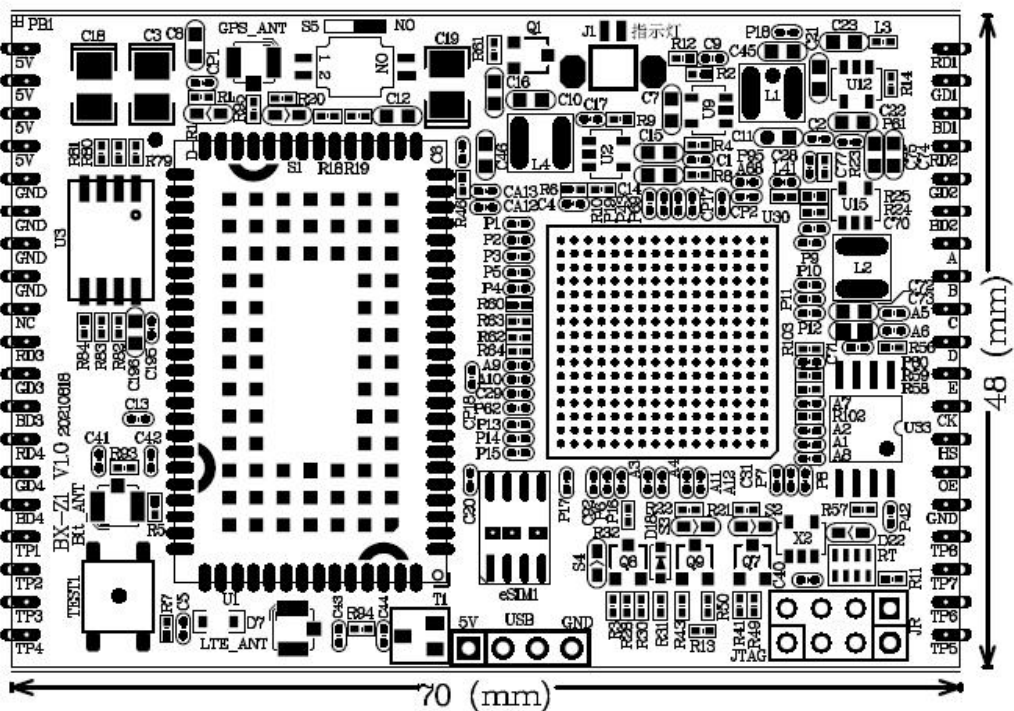
Technical parameters	
Control size	Total pixels≤16K pixels: 256*64, W≤512, Support 4 nos of RGB data signage
Storage	128MByte
Program quantity	No limit
Area quantity	1

Complete device specification	
Input power supply	3.5V ~ 5.5V;
Power	≤10W
Working temp	-40°C ~ 80°C
Size	70mm×48mm

Interface define



Size



CONTACT US

Shanghai ONBON Technology Co.,Ltd (Headquarters)

Address: 7 Floor, Tower 88, 1199#, North Qinzhou Road, Xuhui District, Shanghai City, China

Tel Phone: 086-21-64955136

Fax: 086-21-64955136

Website: www.onbonbx.com

ONBON (Jiangsu) Optoelectronic Industrial Co.,LTD

Address: 1299#, Fuchun Jiang Road, Kunshan City, Jiangsu Province, China

Sales Contacts

Tel: 0086-15921814956 0086-15800379719

Email: onbon@onbonbx.com

Second Development

Tel: 0512-66589212

Email: dev@onbonbx.com

iLEDCloud

Website: <http://www.iledcloud.com/>